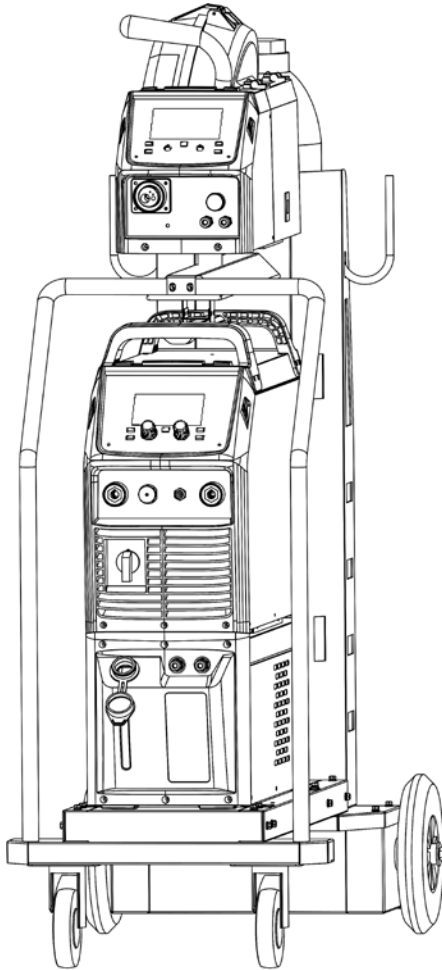


## SPARTUS<sup>®</sup> ProMIG



**505**



## WELDING EQUIPMENT SUITABLE FOR TODAY'S NEEDS

### **Thank you for purchasing our product!**

You have made a right choice. Plasma welding and welding processes are carried out in difficult conditions that expose welding equipment to extreme tests of its strength. Only high quality equipment can ensure required reliability and performance during realization of the above-mentioned processes. SPARTUS® products are characterized by precisely such features: they are primarily reliable and durable, but they are also versatile. We listen carefully to clients' needs. Therefore, our offer covers such a wide assortment of products. Thank you very much for your trust in our company. We would like to invite you to familiarize yourself with the remaining products and offer at [www.spartus.info](http://www.spartus.info) or directly at a local distributor of SPARTUS® products.

# TABLE OF CONTENTS

<b>1. SAFE USE – HAZARDS ASSOCIATED WITH ARC WELDING AND PLASMA CUTTING</b> .....	<b>2</b>
1.1 General safety rules .....	2
1.2 Electric shock can kill .....	2
1.3 Welding arc radiation can be dangerous .....	3
1.4 Vapours and gases can be dangerous .....	3
1.5 Noise can be harmful .....	4
1.6 Fire or explosion hazard .....	5
1.7 Other hazards .....	6
1.8 Other informations .....	6
1.9 Symbols used in instructions .....	7
<b>2. ELECTROMAGNETIC FIELD (EMF)</b> .....	<b>7</b>
<b>3. ELECTROMAGNETIC COMPATIBILITY (EMC)</b> .....	<b>7</b>
3.1 General informations .....	7
3.2 Assesment of area .....	8
3.3 Methods of reducing emmissions .....	8
<b>4. CONFORMITY WITH STANDARDS</b> .....	<b>8</b>
4.1 CE marking .....	8
4.2 Rating plate .....	8
<b>5. GENERAL DESCRIPTION</b> .....	<b>9</b>
5.1 Purpose of use .....	9
<b>6. TECHNICAL SPECIFICATIONS</b> .....	<b>10</b>
6.1 Operation, storage and transport .....	10
6.2 Technical parameters of device .....	10
<b>7. INSTALLATION AND USE</b> .....	<b>11</b>
7.1 Proper cooling .....	12
7.2 Movement and handling .....	12
7.3 Description of construction .....	12
7.4 Fitting the set on a welding cart .....	15
7.5 Connecting to power supply .....	15
7.6 Installation – MIG/MAG welding .....	16
7.7 Installation – MMA welding .....	18
7.8 Installation – TIG welding .....	19
7.9 Device control panel – using .....	20
7.10 Remote control .....	27
<b>8. WELDING TROLLEY ASSEMBLY</b> .....	<b>27</b>
<b>9. MAINTENANCE</b> .....	<b>28</b>
<b>10. ENVIRONMENTAL PROTECTION</b> .....	<b>29</b>
<b>11. TROUBLESHOOTING</b> .....	<b>29</b>



## **IMPORTANT!**

*Before using this product, read the instruction manual in its entirety, with understanding. Keep the instructions for quick reference to it if necessary. Pay special attention to safety instructions provided for your protection. In the event of any points of misunderstanding instructions, contact your supplier or supervisor.*

# 1. SAFE USE – HAZARDS ASSOCIATED WITH ARC WELDING AND PLASMA CUTTING

Arc welding and plasma cutting are processes that can pose hazards for the operator and persons in his vicinity. The operator and his close surroundings are exposed, among others, to the risk of fire, explosion, electric shock, burning, as well as the risk of getting injured by moving parts of the device.

Once proper safety measures are provided, electric welding and plasma cutting are relatively safe processes. For this reason, it is crucial to strictly follow the valid OSH principles during welding operations.

The informations provided below do not release the operator from the obligation to follow the OSH rules that are binding in his plant/workplace.

## 1.1 GENERAL SAFETY RULES

Welding operators and persons working in the vicinity of the welding process should be made aware of the following hazards associated with arc welding. They should be made aware of protective measures as specified in relevant international and national standards and regulations.

### 1.1.1 Equipment condition and maintenance

- Check the technical condition of the device and accessories before starting to weld/plasma cutting. It is forbidden to use equipment that is unserviceable.
- Equipment damaged or defective should be immediately repaired or removed from service.

### 1.1.2 Operation and carrying

- Apply appropriate protective measures in the space around the zone, where welding operations are expected to be carried out.
- All equipment should be placed so that it does not present a hazard in passageways, on ladders or stairways, etc.
- Falling objects can cause injuries or kill. Protect device before accidentally falling.
- Welding equipment may be heavy (e.g. *wire*

*feeder fitted with spool and harness*). Care shall be taken during manual handling.

- To handle heavy elements, use hoists/trucks/transport equipment designed especially for this purpose. Make sure the weight of equipment to be handled does not exceed the admissible maximum lifting capacity of used hoist/truck/transport equipment.
- It is forbidden for unauthorized persons, especially children, to be in the vicinity of the device during its use.
- The device is not suitable for pipe defrosting.
- Device use non-compliant with its intended purpose is forbidden.

### 1.1.3 Training

- Only professionally trained and qualified personnel may install, operate, maintain and repair the device.
- For operators and their supervisors training is essential in: the safe use of the equipment; the processes; the emergency procedures.

## 1.2 ELECTRIC SHOCK CAN KILL



- Before starting to weld and during the welding process, the operator should insulate himself from the ground and the environment by means of dry and undamaged protective clothes. It is forbidden to work on wet ground.
- It is forbidden to touch SK sockets („+“ and/or „-“) when the device is in operation (*connected to a power supply source*).
- It is forbidden to touch live electric components of the device.

- Power supply must never be connected before the accessories of SK sockets/connectors are properly installed in the device.
- Use dry and undamaged welding gloves and protective clothing, in order to ensure proper insulation of the body. It is forbidden to touch with a bare hand any elements that are parts of an electric circuit.
- The operator must always make sure that there is a good electric connection of the return conductor to the element to be welded. The connection should be located as close to the welding zone as possible.
- Maintain the electrode grip, the welding torch, the chassis ground clamp, welding cables and the welding machine in proper technical condition that ensures safe operation. Damaged cable insulation should be replaced with new insulation.
- Never dip an electrode into water, to cool it down.
- When working above the floor level (at a height), use a safety harness to protect yourself against falling, in the case of potential electric shock.
- Exercise special caution, when using the device in small rooms or in rooms with elevated humidity levels.

### 1.3 WELDING ARC RADIATION CAN BE DANGEROUS



The arc generates:

- ultraviolet radiation (*can damage skin and eyes*);
- visible light (*can dazzle and impair vision*);
- infrared (*heat*) radiation (*can damage skin and eyes*).

Such radiation can be direct or reflected from surfaces such as bright metals and light coloured objects.

#### 1.3.1 Eye and face protection

- Use welder's helmet/shield with an appropriate filter to protect you face and eyes against sparks and welding arc radiation.
- The shield / helmet should provide eye and face protection against injuries that may result in welding spatters.
- Welding helmet/shield should be made in accordance with applicable standards.

#### 1.3.2 Body protection

- The body should be protected by suitable clothing in accordance with applicable standards.
- Use appropriate protective clothing made of durable and fire-resistant material, to ensure proper skin protection.
- The use of neck protection can be necessary against reflected radiation.

#### 1.3.3 Protection of persons in the vicinity of an arc

- Protect the remaining personnel present in the vicinity of welding works against negative impact of arc radiation and welding splatters. Warn them about the hazard resulting from exposure to the welding arc. In the vicinity of an arc, non-reflective curtains or screens should be used to isolate persons from the arc radiation. A warning, e.g. a symbol for eye protection, should refer to the hazard of arc optical radiation. Welder's assistants should also wear appropriate protective clothing.

### 1.4 VAPOURS AND GASES CAN BE DANGEROUS



Arc welding and allied processes produce welding fume which may pollute the atmosphere surrounding the work. Welding fume is a varying mixture of airborne gases and fine particles which, if inhaled or swallowed, constitute a health hazard.

The degree of risk is depend on:

- the composition of the fume;
- the concentration of the fume;
- the duration of exposure.

A systematic approach to the assessment of exposure is necessary, taking into account the particular circumstances of the operator and the ancillary worker who can be exposed.

Welding fume may be controlled by a wide range of measures, e.g. process modifications, engineering controls, methods of work, personal protection and administrative action.

First it is necessary to consider whether exposure can be prevented by eliminating the generation of welding fume altogether. Where this cannot be done, measures for reducing the quantity of welding fume generated should be investigated, after which the control of welding fume at source should be considered. The use of respiratory equipment should not be contemplated until all other possibilities have been eliminated. Normally, respiratory protective equipment should be used only as an interim measure. However, there cannot be a situation in which, in addition to ventilation, the use of personal protection is necessary.

#### 1.4.1 VAPOURS AND GASES. ADDITIONAL PRECAUTIONS

- Welding operations can involve generation of vapours and gases that are hazardous to health. Inhaling the vapours should be avoided. Keep your head away from vapours during welding operations. Ensure proper ventilation and/or mechanical welding exhaust draught to keep vapours and gases away from the breathing zone.
- When welding is carried out in a confined space, operators should only be permitted to weld when other persons, who have been instructed and who are able to react

in case of an emergency, are in the immediate vicinity.

- In closed rooms or in certain circumstances during outdoor operations, it may be required to use individual equipment for the protection of the welder's airways, e.g. a respirator. Additional safety measures are also required when galvanized steel is welded.
- Welding operations must not be performed in the vicinity of chlorinated hydrocarbons generated during degreasing, cleaning or spraying. Heat and radiation generated by the arc may enter into a reaction with vapours of solvents, which may lead to the formation of phosgene – a highly toxic gas.
- The shielding gas used during arc welding may force the air out of a room. This may lead to a health hazard or even death. Proper ventilation, especially in closed rooms, should always be provided, to ensure appropriate amount of air that is indispensable for safe breathing.

#### 1.5 NOISE CAN BE HARMFUL



In the welding environment, damaging levels of noise can exist. Continued exposure to a high noise level on the unprotected ear is injurious. The noise levels should be reduced to the lowest practicable level.

High levels may be tolerated for very short periods by wearing adequate ear protection in accordance with the national or local regulation. In case of doubt, checks by an expert should be made to establish noise levels in any particular environment, and, if these are in excess of the prescribed limit, one of the following alternatives may apply:

- a) insulation of the noise source as far as possible, e.g. by fitting silencers or sound proof enclosures,
- b) insulation of the operator from the noise

- source,
- c) effective maintenance of sound protection devices,
- d) indication as „ear protection areas“ where applicable,
- e) restriction of entry to these „ear protection areas“ to authorized persons,
- f) protect your hearing with appropriate personal protection measures, e.g. earplugs or hearing protectors.

## 1.6 FIRE OR EXPLOSION HAZARD

Arc welding and allied processes can cause fire and explosions. Precautions should be taken to prevent these hazards.

### 1.6.1 Fire hazard

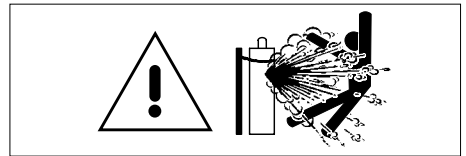


- Before setting to perform welding operations, ensure that elements involving fire hazard are removed from the zone where welding operations will take place. If it is impossible, protect all flammable elements against the impact of sparks. Remember that sparks and hot metal may penetrate through small cracks and openings into the adjacent area.
- Avoid welding in the vicinity of hydraulic conduits.
- The welding arc throws sparks and splatters out. Welders should wear clean and dry protective clothing (*staining with oil should be avoided in particular*) such as welding gloves, welder's apron, welder's trousers, welder's boots, protective hood/cap, etc.
- When welding operations are not carried out, make sure that no part of the electrode comes into contact with the workpiece or protective earthing. Accidental contact may lead to overheating and create a fire hazard.
- The fire extinguisher should be ready for use and located in an easily accessible place.
- The surroundings of the work should be observed for an adequate period after its termination.
- „Hot spots“ and immediate surroundings should be observed until their temperature has dropped to normal.

### 1.6.2 Explosion hazard

It is forbidden to heat up, cut or weld tanks, barrels or containers that contained toxic or flammable materials. For there is an explosion hazard, even if the containers have been emptied and cleaned.

### 1.6.3 Use of cylinders with shielding gas



In case compressed gases are used in the work place, apply special safety measures to prevent dangerous situations.

- Use gas cylinders with appropriate shielding gas, foreseen for a particular process. Additional equipment (pressure regulator, hoses, connectors) should be in good technical condition. A gas cylinder and accessories should have the required valid attestations and approvals for use.
- Gas cylinders should always be stored in vertical position, fixed to an undercarriage or permanent support.
- Gas cylinders should be placed far away from areas, where they could be exposed to the risk of being overturned or suffering physical damage.
- Ensure gas cylinders are at a safe distance from places where electric welding or cutting operations are to be performed, away from other sources of heat, sparks or flames.
- Care shall be taken to prevent gas cylinders in the vicinity of the workpiece becoming part of the welding circuit.
- Never allow the electrode, electrode holder or any other live electric part to get in contact with the gas cylinder.
- Keep your face and head away from the

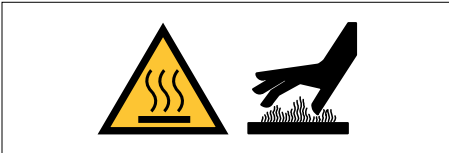
cylinder valve socket when the valve is being opened.

- Special valve shield should always be installed during cylinder transportation or when the cylinder is not used.

**1.7 OTHER HAZARDS**

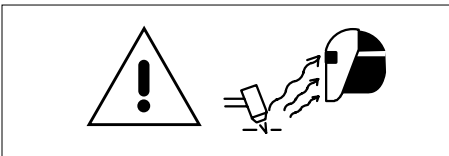
Arc welding and allied processes carrying other hazards not listed before.

**1.7.1 Burns**



- Never touch hot parts with bare hands.
- Before handling an element, wait until it cools down.
- Use appropriate tools to grip and handle hot elements and wear special welding gloves and clothing that protects against burns.

**1.7.2 Plasma arc is dangerous**



Highly concentrated plasma arc poses a hazard for health and life. It is forbidden to aim plasma arc at people.

**1.7.3 Welding wire can cause injuries**



Accidental pressing of the button on the welding torch can cause welding wire to advance in an uncontrolled manner. The welding wire tip may be sharp.

Never aim the burner tip of the welding torch at your face, eyes or other people.

**1.7.4 Moving elements can be dangerous**



All protective elements and device housing should be in place and in good technical condition. Keep your hands, hair, clothes and tools away from gear wheels, fans and other moving parts during their operation.

Do not bring your hands close to fan motors. It is forbidden to stop a fan by pressing its axis.

**1.7.5 HF – high frequency ignition may cause interference**



As welding by the TIG method or plasma cutting involves high frequency ignition, it can interfere with mobile phones, radio equipment, TV equipment or improperly protected computers and industrial robots, which leads to total disabling of such devices.

**1.8 OTHER INFORMATIONS**

When performing welding work, you must apply equally to the health and safety requirements contained in the current normative acts, applicable in your country.



**WARNING!**

*The maximum voltage of 15kV. Accidental pressing of the microswitch results in unintentional arc ignition. Never bring a bare hand close to the electrode, when the device is connected to a power source.*

**1.9 SYMBOLS USED IN INSTRUCTIONS**

We use this symbol to pay your attention about important information.

**2. ELECTROMAGNETIC FIELDS (EMF)**

Electric current flowing through any conductor causes localized electric and magnetic fields (EMF). All welders should use the following procedures in order to minimize the risk associated with exposure to EMF from the welding circuit:

- Route the welding cables together – secure them with tape when possible.
- Place your torso and head as far away as possible from the welding circuit
- Never coil welding cables around your body.
- Do not place your body between welding cables. Keep both welding cables on the same side of your body.
- Connect the return cable to the workpiece as close as possible to the area being welded.
- It is forbidden to sit or lean on power source while working.
- Do not weld whilst carrying the welding power source or wire feeder.

**WARNING!**

*The electromagnetic field (EMF) generated during welding (and allied processes) may interfere with the operation of implanted medical devices for example: cardiac pacemakers. Persons with implanted medical devices such as cardiac pacemakers are obliged to consult a doctor before starting to weld/plasma cutting and to exercise special caution during work. It is forbidden for such persons to be present in the vicinity of the place where welding/plasma cutting processes are realized without previous consultation of a doctor.*

**3. ELECTROMAGNETIC COMPATIBILITY (EMC)****WARNING!**

*This Class A equipment is not intended for use in residential locations where the electrical power is provided by the public low-voltage supply system. There can be potential difficulties in ensuring electromagnetic compatibility in those locations due to conducted as well radiated radio-frequency disturbances.*

**3.1 GENERAL INFORMATIONS**

The user is responsible for installing and using the arc welding equipment according to the manufacturer's instructions. If electromagnetic disturbances are detected, then it shall be the responsibility of the user of the arc welding equipment to resolve the situation with the technical assistance of the manufacturer. In some cases this remedial action may be as simple as earthing the welding circuit. In other cases, it could involve constructing an electromagnetic screen enclosing the welding power source and the work complete with associated input filters. In all cases electromagnetic disturbances shall be reduced to the point where they are no longer troublesome.

*Welding and plasma cutting processes may emit additional interferences. User is responsibility for the interferences caused by welding and plasma cutting.*

### 3.2 ASSESSMENT OF AREA

Before installing arc welding equipment, the user shall make an assessment of potential electromagnetic interferences in the surrounding area. The following shall be taken into account:

- a) other supply cables, control cables, signaling and telephone cables, above, below and adjacent to the arc welding equipment,
- b) radio and television transmitters and receivers,
- c) computer and other control equipment,
- d) safety critical equipment, for example guarding of industrial equipment,
- e) the health of the people around, for example the use of pacemakers and hearing aids,
- f) equipment used for calibration or measurement,
- g) the immunity of other equipment in the environment. The user shall ensure that other equipment being used in the environment is compatible. This may require additional protection measures.
- h) the time of day that welding or other activities are to be carried out.

The size of the surrounding area to be considered will depend on the structure of the building and other activities that are taking place. The surrounding area may extend beyond the boundaries of the premises.

### 3.3 METHODS OF REDUCING EMISSIONS

Methods of reducing electromagnetic interference are listed in detail in the standard EN 60974-9 – „Arc welding equipment – Part 9: Installation and use“.

## 4. CONFORMITY WITH STANDARDS

SPARTUS® ProMIG 505 is in conformity with the relevant Union harmonization legislation:

**LVD 2014/35/UE**

**Low Voltage Directive**

**EMC 2014/30/UE**

**Electromagnetic Compatibility Directive**

harmonized standards:

**EN 60974-1**

**Arc Welding Equipment – Part 1: Welding Power Sources**

**EN 60974-10**

**Arc Welding Equipment – Part 10: Electromagnetic Compatibility Requirements**

### 4.1 CE MARKING

CE marking is placed on the nameplate of device and/or on the front panel of device.



### 4.2 RATING PLATE

Rating plate and serial number are located on the device case.

## 5. GENERAL DESCRIPTION

### SPARTUS® ProMIG 505

SPARTUS® ProMIG 505 is high-end, modern inverter welding machine constructed on the basis of advanced PWM technology and professional IGBT transistors.

It enables MIG / TIG DC and MMA welding with a current up to 500A. It is powered from three phase 400V source power.

The device offers a wide range of possibilities for the above-mentioned methods of joining metals.

#### MIG welding

ProMIG 505 is equipped with a synergistic system for MIG / MAG welding with the possibility of selecting the following programs: for mill steel, stainless steel, aluminum welding; self-shielding wire welding. It is possible to manually correct the parameters.

In addition, the device has a number of functionalities supporting the welding process in the MIG method:

- 2T/4T Trigger Control
- Burn Back
- Slow Feed
- Pre Gas i Post Gas..

Separate high-class four-roller feeder ensures stable wire feeding. An important advantage is also the possibility of welding with the Spool Gun.

#### TIG welding

Thanks to the solutions used, the ProMIG 505 also enables advanced welding with the TIG Lift method.

ProMIG 505 has functions supporting the welding process in TIG method:

- 2T/4T Trigger Control,
- Down Slope.

#### MMA welding

The process of joining metals in this method is additionally supported by functions such as:

- Arc Force
- Hot Start.

Modern design, LCD function panel and the possibility of wireless control in combination with high-class components makes the SPARTUS® ProMIG 505 stand out on the market.

The professional device of the SPARTUS® Pro line s perfect suited to the production sector and industry.

### 5.1 PURPOSE OF USE

SPARTUS® ProMIG 505 welding devices are designed for:


- Metal Inert Gas welding (MIG) or Metal Active Gas welding (MAG),
- Tungsten Inert Gas welding (TIG),
- Manual Metal Arc welding (MMA).


## 6. TECHNICAL SPECIFICATIONS


### 6.1 OPERATION, STORAGE AND TRANSPORT

#### Conditions during operation, storage and transport

Range of ambient air temperature during operation	-10°C to +40°C
Relative humidity of the air	up to 50% at +40°C up to 90% at +20°C
Ambient air	free from abnormal amounts of dust, acids, corrosive substances etc. other than those generated by the welding process
Base of the welding power source inclined	no more than 10°
Range of ambient air temperature during storage and transport	-20°C to +55°C
Height above sea level	≤1000 m

 **Duty cycle (def.)**  
Duty cycle is the time during which You can weld or cut at a certain load without causing overload. It is expressed in percent for period of complete cycle which equals 10 minutes. For example: 60% duty cycle means that for 6 minutes device can operate at given load, after that required 4 minutes time break (no-load operation).

 **Protection against overheating (def.)**  
Security system from overheating will turn on when the welder is over-heat (possibility of welding is turned off, abnormal indicator on front panel lights up). In such a situation, You should not turning off the unit immediately. Wait some time until fan cools the unit. Time to return to the state from overheating can take up to approx. 15 minutes.

 **The device has a degree of protection IP21S.** Which means that it is intended to be used in closed and covered areas and suitable for use outdoors. However it is not designed to be used outdoor during precipitation if it is not covered.

### 6.2 TECHNICAL PARAMETERS OF DEVICE

#### ProMIG 505

Input	~3 × 400V ± 10% 50 / 60 Hz
Welding current MIG [A]	40 – 500
Duty cycle MIG [%]	60

#### MIG PARAMETERS

Wire feeder	separatre, 4-roll
Wire diameter Ø [mm]	0.6 / 0.8 / 1.0 / 1.2 / 1.6
Welding wire spool	≤ 15[kg], ø200/300
Wire feeding speed [m/min]	2 – 24
Wire feeding test	✓

2T / 4T control	✓
Spool Gun	✓
Synergic	✓

### TIG PARAMETERS

TIG welding mode	TIG DC
TIG welding current [A]	10 – 500
Duty cycle [%]	60
Gas pre flow [s]	0 – 10
Up slope [s]	0 – 10
Down slope [s]	0 – 10
Gas post flow [s]	0 – 10
2T/4T control	✓
Arc ignition	LIFT

### MMA PARAMETERS

MMA welding mode	✓
MMA welding current [A]	10 – 500
Hot Start	0 – 10
Arc Force	0 – 10
Duty cycle [%]	60

### OTHER

Max. current consumpton [A]	MIG 40.5 / TIG DC 32.4 / MMA 41.1
Efficiency $\eta$ [%]	90
Power factor ( $\cos\varphi$ )	0.77
Insulation class	F
Protection class	IP21S
Source weight [kg]	33.3
Source dimensions [mm]	700 x 260 x 485

## 7. INSTALLATION AND USE



### WARNING!

*SPARTUS® ProMIG 505 machines are intended for professional and industrial applications. Installation and use of the device may only be carried out appropriately trained professionals. It is **forbidden** to grinding and/or carrying out other locksmith works or mechanical working of metal in the vicinity of the ventilation opening of unit.*



### Qualified person (def.)

*A person who has gained the relevant technical education, training took place and / or gained experience to perceive the risk and avoid hazards during use of the product (IEC 60204-1).*

### 7.1 PROPER COOLING

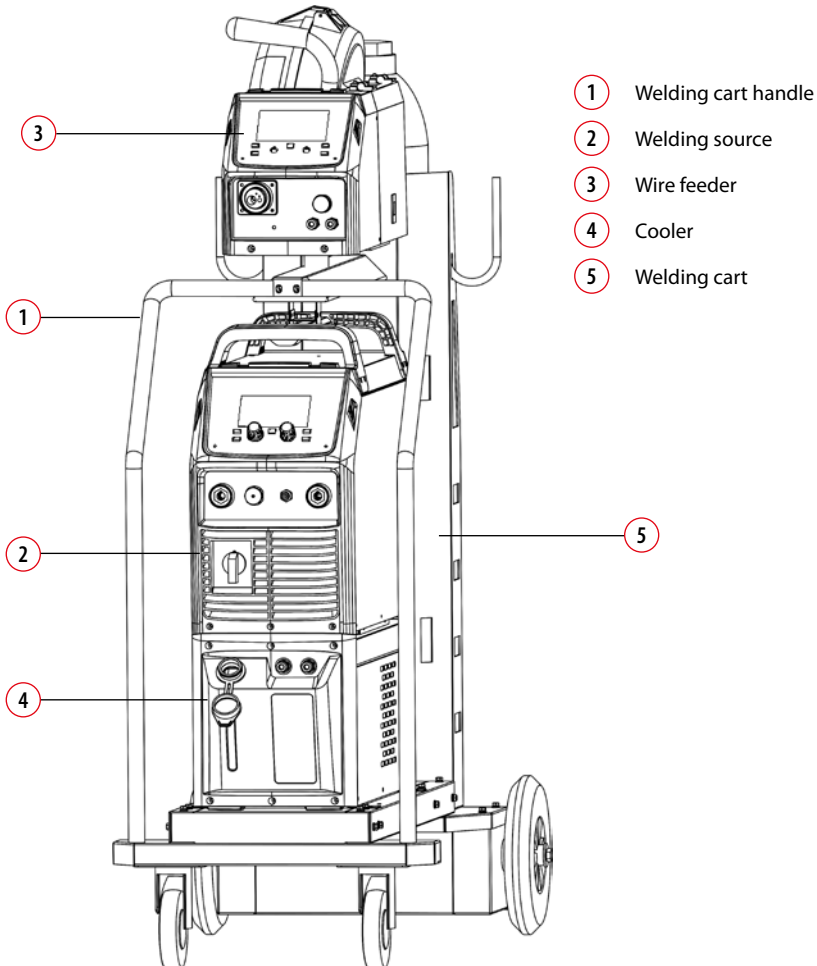
The unit should be placed stable on a dry and flat surface. Avoid too much slope and slippery surfaces. Check regularly that the vents (inlet, outlet) are not covered. The minimum distance between the welder vents and walls should be 50cm.

### 7.2 MOVEMENT AND HANDLING

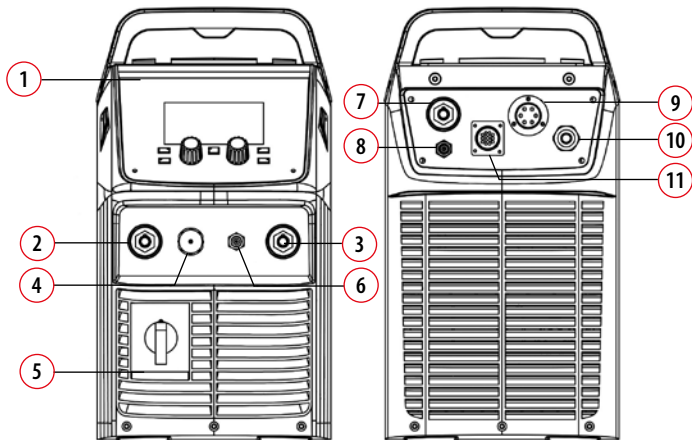
The source is available on a specially constructed welding cart (platform), equipped with road wheels and a transport handle.

The cart should be moved by means of a specially designed transport handle on an even and flat surface. If transport handle (device/cart) or cart wheels are damaged, then it needs to be repaired at an authorized service center.

### 7.3 DESCRIPTION OF CONSTRUCTION

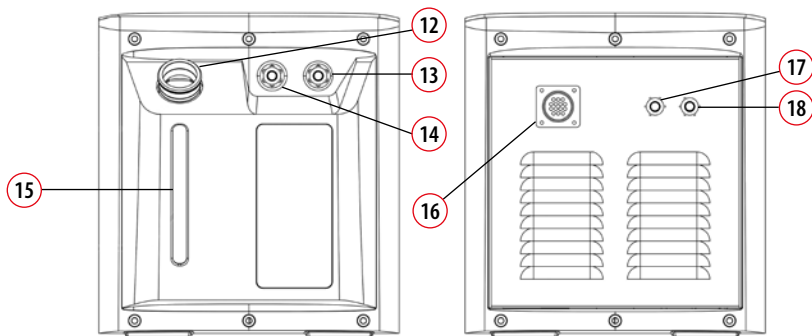


### 7.3.1 Welding source



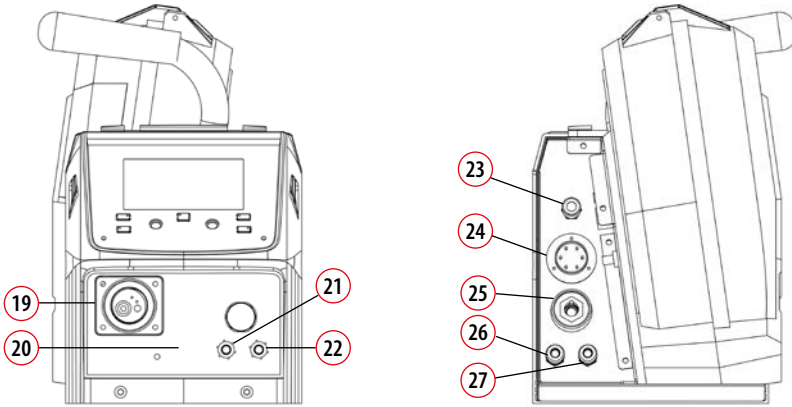
- ① Control panel
- ② SK<sub>„+“</sub> socket
- ③ SK<sub>„-“</sub> socket
- ④ Connection for TIG torch
- ⑤ Toggle switch ON/OFF
- ⑥ TIG torch gas connector
- ⑦ Connection cable set – current socket SK<sub>„+“</sub>
- ⑧ Gas inlet
- ⑨ Connection cable set – control socket
- ⑩ Power cable
- ⑪ Remote connection plug: cooler

### 7.3.2 Cooler

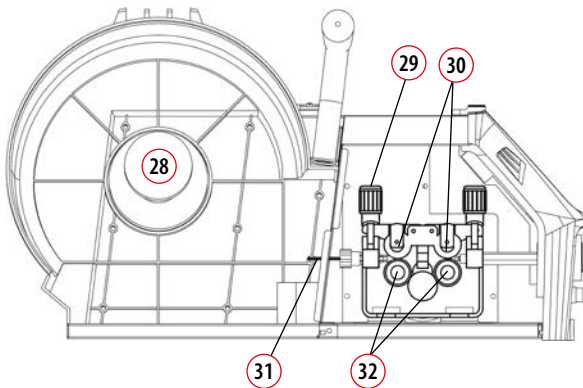


- ⑫ Water inlet
- ⑬ Backwater inlet for TIG
- ⑭ Water outlet for TIG
- ⑮ Water level calibration
- ⑯ Water cooling control connector
- ⑰ Water outlet for MIG
- ⑱ Backwater inlet for MIG

### 7.3.3 Wire feeder



- 19** EURO socket
- 20** Spool Gun socket
- 21** Water outlet
- 22** Backwater inlet
- 23** Gas connector
- 24** Wire feeder control anode
- 25** Positive output anode
- 26** Water inlet
- 27** Backwater outlet



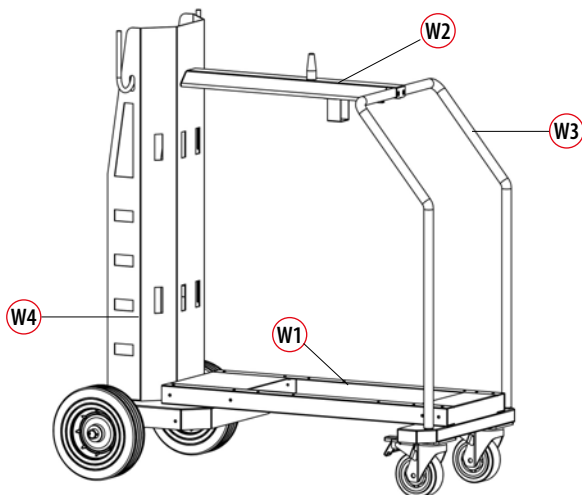
- 28** Wire reel shaft
- 29** Wire feed tension adjustment
- 30** Wire feed tension arms
- 31** Wire feeder inlet guide
- 32** Wire drive rollers



## 7.4 FITTING THE SET ON A WELDING CART

### 7.4.1 Welding cart

- W1** The cart base equipped with wheels
- W2** Shelf with pivot to mounting wire feeder
- W3** Transport handle
- W4** Back cover



1. Assemble welding cart (*see pt 8 p. 31*).
2. Mount the set source/cooler.
3. Place the set source/cooler on the trolley base.
4. Secure the set to the trolley by using the handle and screws.
5. Mount the wire feeder on the pivot **W2** and secure it by using wing nuts.

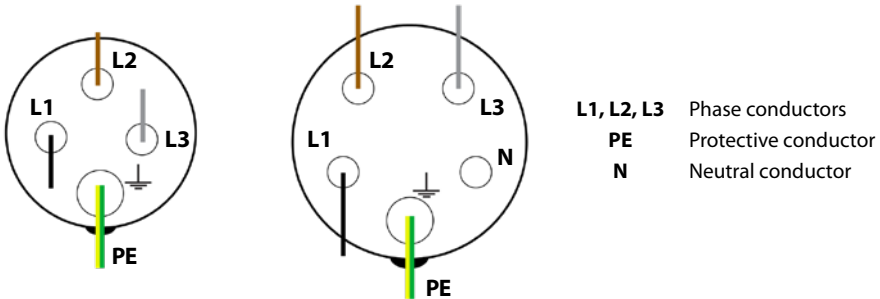
## 7.5 CONNECTING TO POWER SUPPLY

Requirements for power network parameters (voltage, permissible range of mains voltage fluctuations etc.) are given in the table with technical parameters of device and on the rating plate of welding machine.

### Before connecting the unit to the power source:

- Check whether the parameters comply with the requirements for unit.
- Check: mechanical condition of the power cord and plug. The connection status of the power cord with plug and unit (loose not allowed). If the power cord or plug is damaged or loose connection is between them, it is forbidden to connect the welder until fault has been rectified.
- The welder machine can be connected to the network only when the power socket is properly grounded.

### 7.4.1 Scheme of connection of power plug connector 400V



#### WARNING!

It is forbidden bridging PE and N cables. it may cause serious risk of electric shock!

In some cases, colours of power cords may vary from those shown on diagram. For example when the device has a four-wired three phase power cord. In this case, the PE protective conductor (yellow-green) must be connected to the terminal which is provided for it  $\perp$ . And the other cables must be connected to the appropriate terminals L1, L2, L3. If one of the wires colour is blue – do not connect it to the terminal N – neutral. In this case blue cable is one of the phase conductors L1, L2, L3.

### 7.5.2 Cooler installation

1. Place the set source/liquid cooler on the welding trolley.
2. Secure the source by using the handle and screws.
3. Connect the cooler to welding source by using water cooler connector: (11), (16).

### 7.6 INSTALLATION – MIG/MAG WELDING

**i** Before installation the welding wire spool, make sure that weight and dimension of the spool meet the requirements set out in the table with technical data of device.

**i** Before connecting hardware and shielding gas to the device, make sure that the device is disconnected from power source and switch (5) is in the OFF position.

#### 7.6.1 Connecting the gas cylinder

1. The cylinder with appropriate shielding gas, should be placed in a vertical position and secured against falling over in accordance with safety requirements (for gas cylinders under the influence).
2. Make sure that the valve cylinder is closed.
3. Connect properly gas regulator to cylinder valve.
4. Connect the gas hose into gas regulator outlet. Secure the connection with a special clamp.
5. Connect the gas hose to the device (23).

**i** The valve in the cylinder must be opened immediately before welding. After welding it should be closed.

### 7.6.2 Welding wire spool installation

1. Place the wire spool on mounting mechanism. Pay attention to direction of unwinding welding wire (*basic criterion – minimum bending radius of wire, linearly to wire inlet guide* 31). Locking pin should be placed in special hole in wire spool.
2. Lock the mounting block in the mounting bracket.
3. Unlock tension knob 30. Check if the feed rolls are proper to type and diameter of welding wire.
4. Pass end of wire through wire inlet guide 31, through groove of drive roll and EURO socket guide. The end of welding wire should leave a distance approx. 10mm beyond outline of EURO socket 19.
5. Lock tension knob 30.

### 7.6.3 MIG/MAG gun installation

1. Connect properly MIG gun plug to EURO socket 19.
2. Pay special attention to the correct fit of the control pins and input welding wire from wire feeder to the wire inlet guide in MIG gun.
3. Tighten the MIG gun plug nut clockwise until it stops. Incorrectly mounted MIG gun can cause damage.



### 7.6.4 Assembling welding wire into liner

1. Connect properly MIG gun into welding machine (*see* 7.6.3).
2. Dismantle the torch consumables (*gas nozzle, contact tip*).
3. Connect the welder into power supply. Turn on the machine using power switch 5.
4. Expand MIG gun as straight as it is possible.
5. Using the button G (pt 7.9) start wire feeding into MIG gun liner. Make sure that pressure tension of feeder rolls is suitable. Remember! Never point torch into direction eyes / face or others.
6. When wire end comes out to a distance approx. 30mm beyond the torch outline, release the button G (pt 7.9) to stop feeding wire.
7. Assemble welding wire into liner (*gas nozzle, contact tip*).
8. Cut off the end of wire properly.

### 7.6.5 Device installation – MIG/MAG welding



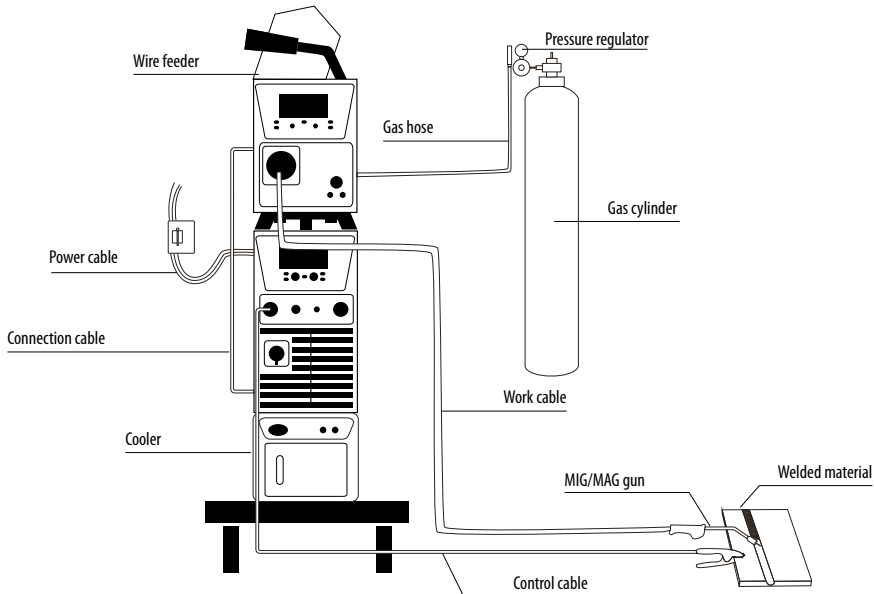
Before connecting hardware and shielding gas to the device, make sure that the device is disconnected from power source and switch 5 is in the OFF position.



For most applications during MIG/MAG welding the polarity of the welding should be positive, '+' on the EURO socket and negative, '-' on the return cable.

1. Connect the gas hose to the machine.
2. Connect return cable into SK socket, "-" 3 and the mass clamp to the welded part.
3. Plug the MIG welding gun into device (*see* 7.6.3).
4. Make sure that all threaded connections are not loose and that the shielding gas connection is tight.
5. Connect the machine to the power supply in accordance with appropriate guidelines (*see* 7.5).
6. Turn on the device by setting the switch 5 to ON position.

7. Insert the welding wire to the handle (see 7.6.4).
8. Open the valve in the gas cylinder and set the appropriate value for the shielding gas flow.
9. The machine is ready for welding.



## 7.7 INSTALLATION – MMA WELDING

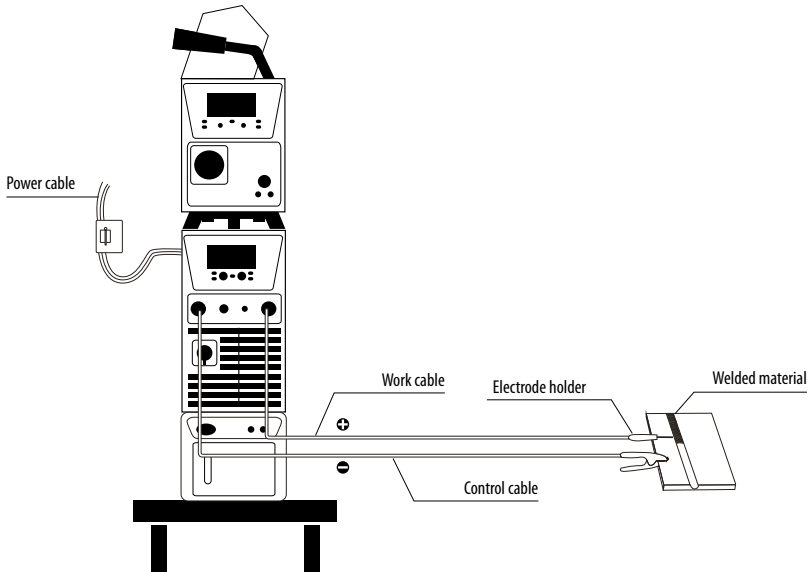


Before connecting hardware and shielding gas to the device, make sure that the device is disconnected from power source and switch **5** is in the OFF position.



The welding polarity depends on the type of electrodes used. Before connecting the cables refer to the requirements specified by the manufacturer of electrodes.

1. Connect electrode cable plug into SK socket **2** or **3**.
2. Connect return cable plug into appropriate SK socket **2** or **3**.
3. Connect earth clamp into workpiece.
4. Connect the welder into power supply in accordance with appropriate guidelines (see 7.5).
5. Turn on the welder by setting power switch **5** in the ON position.
6. The device is ready to weld.



## 7.8 INSTALLATION – TIG WELDING



Before connecting hardware and shielding gas to the device, make sure that the device is disconnected from power source and switch **5** is in the OFF position.

### 7.8.1 Connecting the gas cylinder

1. The cylinder with appropriate shielding gas, should stand upright and be secured against tipping over in accordance with safety requirements.
2. Make sure that the valve cylinder is closed.
3. Connect properly gas regulator to cylinder valve.
4. Connect the gas hose into gas regulator outlet. Use special clamps to seal connection.
5. Connect gas hose to the connection on the device **8**.



The valve in the cylinder must be opened immediately before welding. After welding it should be closed.

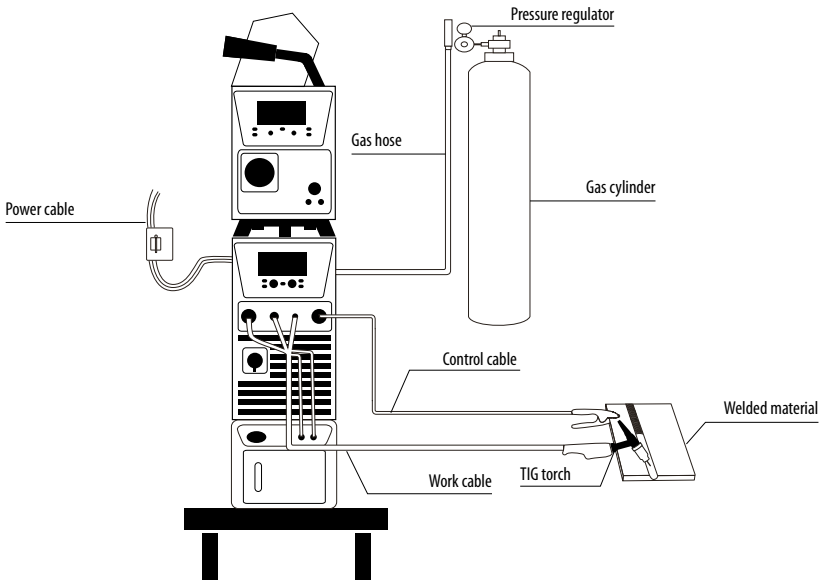
### 7.8.2 TIG torch installation

1. Connect properly TIG torch plug into SK „-“ **3**.
2. Connect properly TIG torch control plug into control socket **4**.  
Pay attention to suitable fitting of control pins.
3. Connect gas hose into shield gas connector **6** at the front panel.

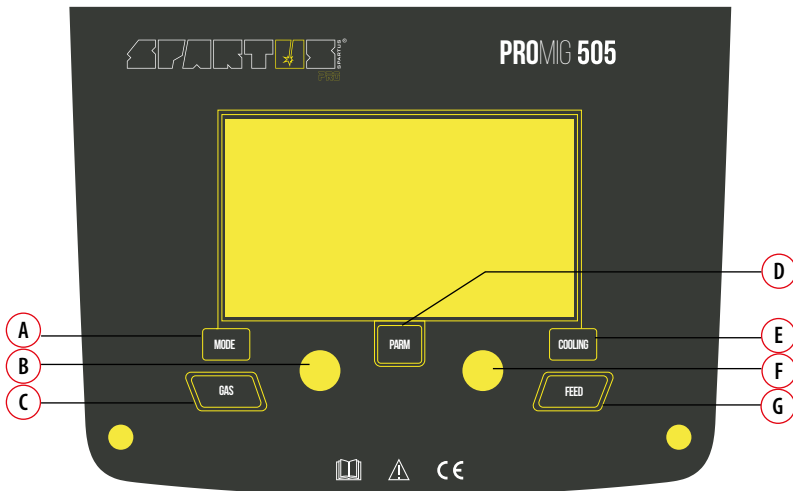
### 7.8.3 Connecting the device

1. Connect the gas pipe to the device (see 7.8.1).
3. Connect the welding holders TIG (see 7.8.2).
4. Connect the return line to the SK socket „+“ **2** and the mass clamp to the welded element.

5. Connect the welding device to the power source in accordance with the guidelines (see 7.5)
6. Turn on the device by setting switch ⑤ in the ON position.
7. The device is ready to work.



## 7.9 DEVICE CONTROL PANEL – USING



- A** Welding mode button
- B** Welding adjustment knob 1
- C** Gas test button
- D** Function button
- E** Cooling mode button: gas/liquid
- F** Welding adjustment knob 2
- G** Button for inserting the welding wire into the MIG gun

### 7.9.1 Detailed description of selected buttons on the panel

#### **A** WELDING MODE BUTTON:

- **MIG Synergic**
- **MIG Manual**
- **TIG Lift**
- **MMA**

#### **B** WELDING ADJUSTMENT KNOB 1

Press it to select parameters and turn it to adjust values, such as welding current. In function interface, turn it to select parameters.

#### **D** FUNCTION BUTTON

Press it to select parameters or enter the function interface.

#### **F** WELDING ADJUSTMENT KNOB 2

Press it to select parameters and turn it to adjust values.

### MMA DISPLAY INTRODUCTION



- A** MMA WELDING MODE BUTTON
- H** WELDING ADJUSTMENT KNOB 1: welding current
- I** WELDING ADJUSTMENT KNOB 2: Hot Start or Arc Force

## TIG LIFT DISPLAY INTRODUCTION



- Ⓐ TIG Lift WELDING MODE BUTTON
- Ⓑ WELDING ADJUSTMENT KNOB 1: welding current
- Ⓓ FUNCTION BUTTON: press it to enter the function interface
- Ⓔ COOLING MODE BUTTON: water
- Ⓕ WELDING ADJUSTMENT KNOB 2: Down Slope

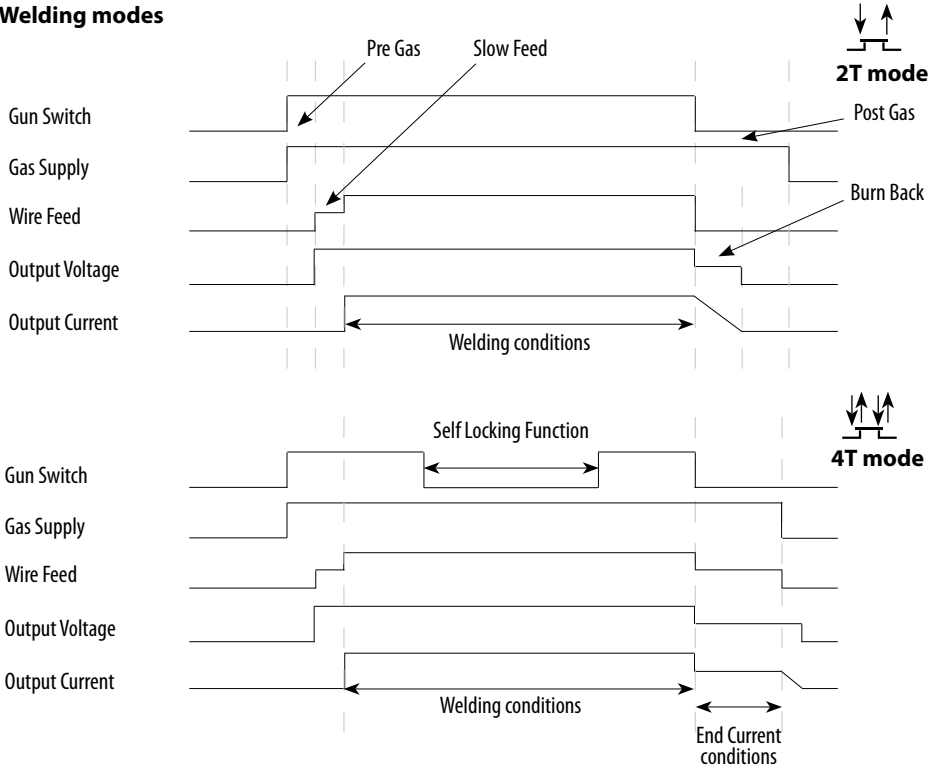
## FUNCTION INTERFACE – TIG



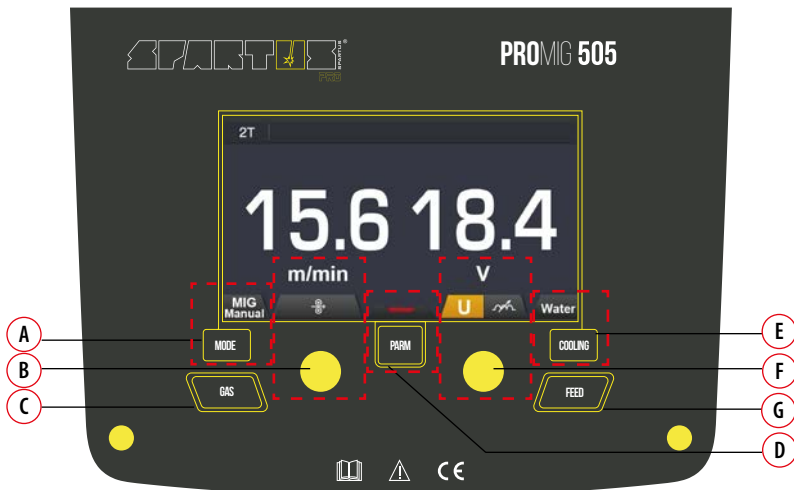
1. **Trigger mode:** 2T/4T.
2. **Down Slope time:** 0~10s.
3. **Post flow time:** 0~10s.



**Welding modes**



**MIG MANUAL DISPLAY INTRODUCTION**



- A MIG Manual WELDING MODE BUTTON
- B WELDING ADJUSTMENT KNOB 1: wire feeding speed
- C GAS TEST BUTTON
- D FUNCTION BUTTON: press it to enter the function interface
- E COOLING MODE BUTTON: water
- F WELDING ADJUSTMENT KNOB 2
- G BUTTON FOR INSERTING THE WELDING WIRE INTO THE MIG GUN

**FUNCTION INTERFACE – MIG Manual**

PARAMETER	
<b>MOTION</b>	<b>2T</b>
PRE FLOW	10.0s
POST FLOW	10.0s
BURNBACK	10
SLOW FEED	10s

MIG Manual

1. **Trigger mode:** 2T / 4T
2. **Pre Gaz:** 0.1~10s.
3. **Post Gaz:** 0.1~10s.
4. **Burnback:** 0~10
5. **Slow Feed:** 0~10s

**SPOOL GUN DISPLAY INTRODUCTION**



- A SPOOL GUN WELDING MODE BUTTON
- B WELDING ADJUSTMENT KNOB 1: wire feeding speed
- C GAS TEST BUTTON
- D FUNCTION BUTTON: press it to enter the function interface
- E COOLING MODE BUTTON
- F WELDING ADJUSTMENT KNOB 2
- G BUTTON FOR INSERTING THE WELDING WIRE INTO THE MIG GUN

### FUNCTION INTERFACE – SPOOL GUN

PARAMETER	
<b>MOTION</b>	<b>2T</b>
PRE FLOW	10.0s
POST FLOW	10.0s
BURNBACK	10
SLOW FEED	10s

MIG Manual

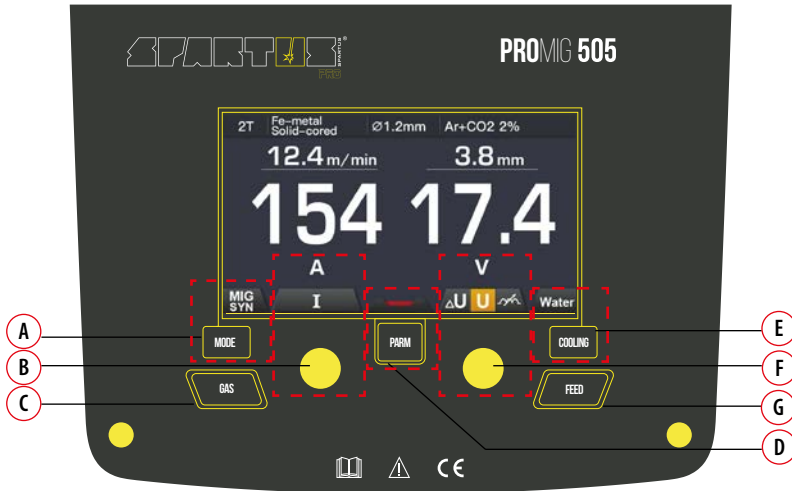
1. **Trigger mode:** 2T / 4T
2. **Pre Gaz:** 0~10s.
3. **Post Gaz:** 0~10s.
4. **Burnback:** 0~10s.
5. **Slow Feed:** 0~10s.

### SYSTEM SETTING PANEL

SETTING	
<b>LANGUAGE</b>	<b>English</b>
UNIT	Metric
BRIGHTNESS	215

Press the functional parameter button **D** and hold it for 3s to enter the system interface. Here you can adjust the language, the unit and the brightness setting by left and right welding adjustment knob.

## MIG SYNERGY DISPLAY INTRODUCTION



- A** MIG Synergy WELDING MODE BUTTON
- B** WELDING ADJUSTMENT KNOB 1: wire feeding speed / welding current
- C** GAS TEST BUTTON
- D** FUNCTION BUTTON: press it to enter the function interface
- E** COOLING MODE BUTTON: water
- F** WELDING ADJUSTMENT KNOB 2
- G** BUTTON FOR INSERTING THE WELDING WIRE INTO THE MIG GUN

## FUNCTION INTERFACE – MIG Synergy

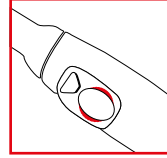
PARAMETER	
<b>TRIGGER MODE</b>	<b>2T</b>
<b>WIRE MATERIAL</b>	Fe-metal Flux-cored
<b>WIRE DIAMETER</b>	1.2mm
<b>SHIELD GAS</b>	CO <sub>2</sub>
<b>PRE FLOW</b>	10.0s

MIG SYN

1. **Trigger mode:** 2T/ 4T
2. **Wire material:** SS solid-cored/ Fe solid-cored/ Fe flux-cored/ Al-Mg solid-cored/ CuSi
3. **Wire diameter:** 0.6 ~1.6mm.
4. **Shield gas:** CO<sub>2</sub> / Ar+CO<sub>2</sub> 20%.
5. **Pre Gas:** 0.1~10s

### 7.10 REMOTE CONTROL

Remote control is carried out using a potentiometer located in the handle of the torch or by using wired foot pedal.



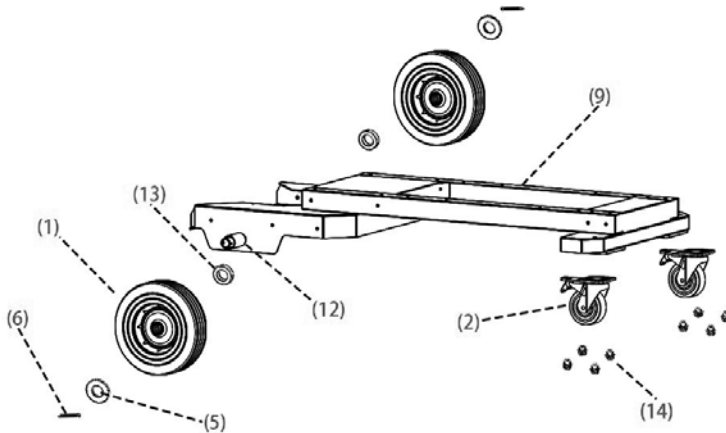
POTENTIOMETER



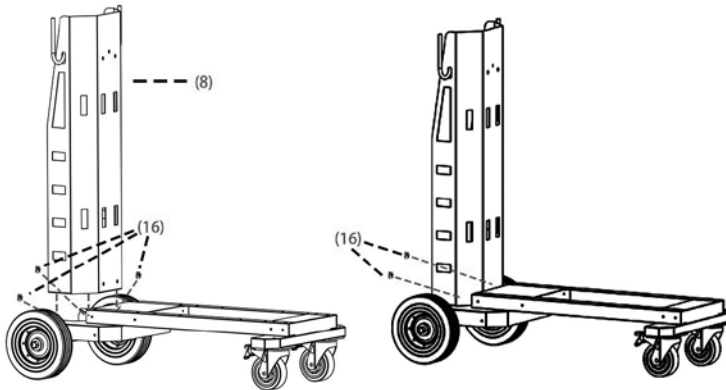
WIRED FOOT PEDAL

## 8. WELDING TROLLEY ASSEMBLY

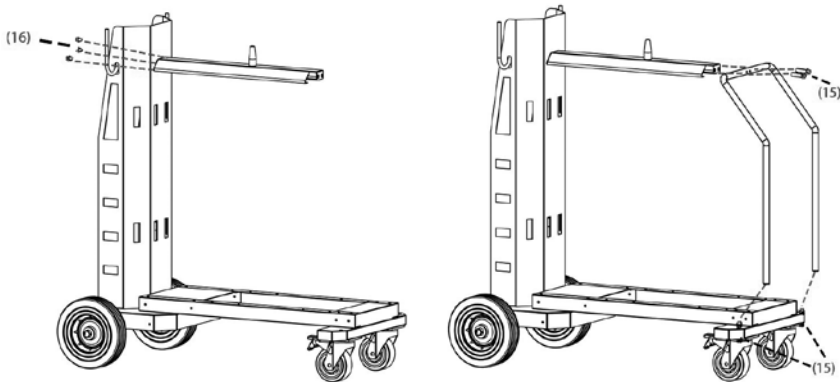
- |   |   |
|---|---|
| 1. Rubber wheels – 2 pcs                    | 10. Handle fixer                            |
| 2. Universal wheels with foot brake – 2 pcs | 11. Steel pipe column                       |
| 3. Galvanized chain $\phi 4$ – 1 pc.        | 12. Wheel axle $\phi 25 \times 512$ – 1 pc. |
| 4. Butterfly screw M8 – 2 pcs               | 13. Axle sleeve – 2 pcs                     |
| 5. Flat washer GB/T95 24 – 2 pcs            | 14. Triple screw M8*12 – 12 pcs             |
| 6. Cotter pin GB/T91 3.2x40 – 2 pcs         | 15. Screw M8*40 – 6 pcs                     |
| 7. Feeder shelf                             | 16. Triple screw M6*12 – 17 pcs             |
| 8. Gas tank support                         | 17. Triple screw M5*16 – 4 pcs              |
| 9. Bottom plate                             |   |



1. Install the rear axle (12) to trolley base (9).
2. Attach wheels to the rear axle (12) by the order: pad (13), wheel (1), pad (5), cotter (6).
3. Install the front wheels (2) to the trolley base (9) using the screw (14).



4. Attach the back wall (8) to the trolley base (9) using screws (16).



5. Attach the feeder shelf (7) to the back wall using the screws (16).  
 6. Attach the transport handle (11) to the feeder shelf (7) by using screws (15).  
 7. Screw on the transport handle (11) with the screws (15) to the trolley base (9).  
 8. Place the source (or set source/liquid cooler) on the welding trolley. Secure the source by using the handle (10).

## 9. MAINTENANCE

### ! WARNING!

Before performing any maintenance or repairing of device, disconnect welding machine from the power source and wait at least 5 minutes. The voltage accumulated in capacitors should be discharged at this time to a safe level. But even after that operation you should be careful.



Make sure that the device is disconnected from the power source, and switch (5) is in the OFF position, before connecting accessories and shielding gas to the device.

Maintenance and repair work may be performed only by qualified personnel with the appropriate permissions. Regular maintenance provides adequate service life and trouble-free operation of the device.

**Routine maintenance (daily: before use/installation):**

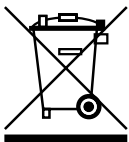
- Perform a visual inspection of the housing, knobs, control panel.
- Inspect (visual inspection) the power cord and power plug. Check the insulation of the cable.
- Check the condition of welding cables and their connectors. If cable insulation is damaged – replace it. If connection is too loose – eliminate backlash.
- Check if cooling fan is working properly.
- Make sure that all vents are not obstructed.

**At least once a month:**

- Regularly remove dust from inside of the machine. Use for this compressed air. The pressure should be sufficiently low so as not to damage small components inside the machine. If in the workplace, dust levels are high. You should clean machine often.
- Perform inspection of connection of internal electrical components. If anywhere the joints are loose, tighten them.

**Once a year:**

- You should send device to an authorized service center for an interim review.

**10. ENVIRONMENTAL PROTECTION**

The product must not be disposed of into an ordinary waste container. It is totally forbidden to dispose of electric or electronic equipment marked with a crossed-out trash can symbol by throwing it into ordinary waste containers. According to the WEEE directive (directive 2012/19/UE), binding within the European Union, such products should be disposed of according to local regulations.

We hereby inform the client that, according to the regulations, each commodity is burdened with waste disposal costs (WDC) according to charging rates valid for a given year.

**Attention!** If using liquid to water-cooled torches, utilize it according to attached information.

**11. TROUBLESHOOTING**

*Not all problems with functioning of the device, are the evidence of failure. You can independently carry out an analysis in search of probable failure. In case of doubt, please contact to SPARTUS® dealer or authorized service center.*



*During the warranty period all repairs should be carried by authorized service center. Repairs carried out by unauthorized persons will void the warranty.*

**PROBLEMS WITH THE DEVICE**

Turn ON power but the LCD display is not illuminated.	Switch, fuse or power cord damaged.
After welding machine is over-heat, the fan doesn't work.	Fan damaged. The cable is loose.
Press the gun microswitch, no output shielded gas.	No gas in the gas cylinder. Electromagnetic valve, control switch or control circuit damaged

Wire-feeder doesn't work.	Motor damaged.
	The idler roll is loose or weld wire skids.
	The drive roll doesn't fit with the diameter of weld wire.
No striking arc and no output voltage.	Wire feed pipe or tip is jammed.
	Output cable is connected incorrectly or loosen. Control circuit damaged.
Welding current is run away and can be not controlled.	The potentiometer or the control circuit damaged.
<b>MIG WELDING PROBLEMS</b>	
Excessive spatter.	Voltage or wire feed speed set too high.
	Wrong polarity set.
	Stick out too long.
	Contaminated base metal or wire. Inadequate gas flow.
Porosity – small cavities or holes resulting from gas pockets in weld metal.	Wrong gas or inadequate gas flow.
	Moisture on the base metal or wire. Gas nozzle clogged with spatter, worn or out of shape.
	Missing or damaged gas diffuser.
Wire stubbing during welding.	Welding voltage set too low.
	Wire speed set too high
No wire feed.	Wrong mode selected or torch selector switch.
Interrupted wire feed.	Wrong polarity selected.
	Incorrect wire speed or voltage setting.
	MIG gun lead too long, kinked or too sharp angle being held.
	Contact tip worn, wrong size, wrong type.
	Liner worn or clogged.
	Wire misaligned in drive roller groove.
	Incorrect drive roller size or wrong type of drive roller selected.
	Worn drive rollers. Drive roller pressure too high.
Wire crossed over on the spool or tangled. Contaminated MIG wire.	



**TIG WELDING PROBLEMS**

Tungsten burning away quickly.	Incorrect gas or no gas.
	Inadequate gas flow.
	Back cap not fitted correctly.
	Incorrect tungsten being used.
Porosity - poor weld appearance and color.	Wrong gas, poor gas flow, gas leak.
	Contaminated base metal or wire.
Arc difficult to start or will not start DC welding.	Incorrect filler wire.
	Incorrect machine set up.
	No gas or incorrect gas flow.
	Incorrect tungsten size or type.
	Loose connection.
	Earth clamp not connected to work.

**MMA WELDING PROBLEMS**

No arc.	Incomplete welding circuit.
	Wrong mode selected.
	No power supply.
Porosity – small cavities or holes resulting from gas pockets in weld metal.	Electrode or work piece dirty, contaminated or moisture.
	Incorrect arc length.
Excessive spatter.	Amperage too high.
	Incorrect arc length.
Weld sits on top, lack of fusion.	Insufficient heat input.
	Work piece dirty, contaminated or moisture.
Excessive penetration – burn through.	Excessive heat input.
	Incorrect travel speed.
Electrode welds with different or unusual arc characteristic.	Incorrect polarity.

# Notes

---



**EASY**

*Simple solutions and an attractive price – these are the features of SPARTUS® Easy series devices. Our equipment has been designed with ease of use and ergonomics at work in mind.*

*A masterly combination of high quality production, excellent parameters and ergonomics – these are features of the SPARTUS® Master series of devices, which were created with demanding welding jobs in mind.*



**MASTER**



**PRO**

*Precision, functionality, excellent parameters and resistance to high workloads – these are the features of the SPARTUS® Pro industrial series of devices. This series consists of specialised solutions which will satisfy even the most demanding users.*



Videopresentation of products



Subscribe to the channel SPARTUS.INFO